

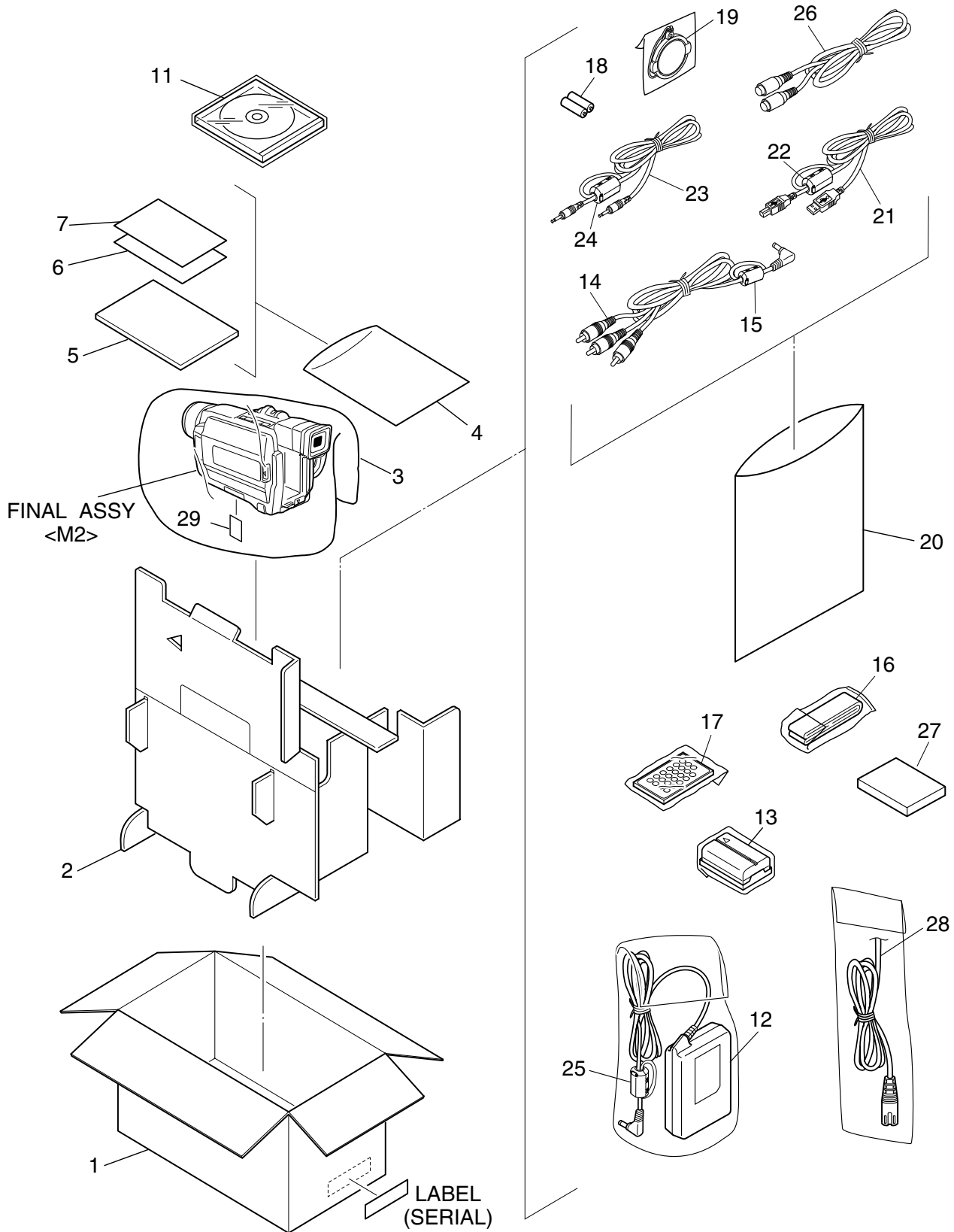
SECTION 5 PARTS LIST

SAFETY PRECAUTION

Parts identified by the \triangle symbol are critical for safety. Replace only with specified part numbers.

5.1 PACKING AND ACCESSORY ASSEMBLY <M1>

The instruction manual to be provided with this product will differ according to the destination.



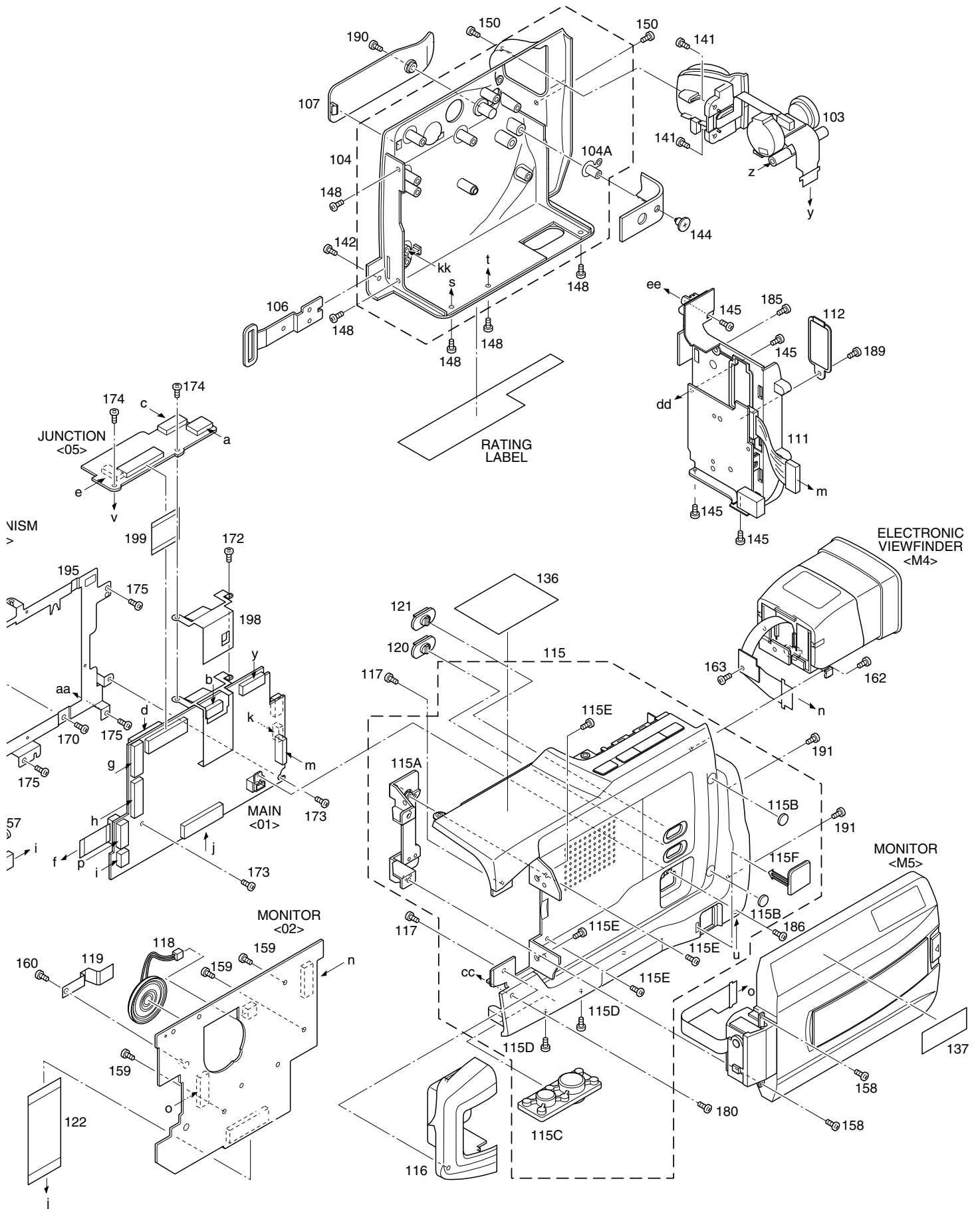
△ REF No. PART No. PART NAME, DESCRIPTION

PACKING AND ACCESSORY ASSEMBLY <M1>

1	-	PACKING CASE
2	LY32345-001A	CUSHION
3	LY30023-008A	POLY BAG
4	QPA02003006	POLY BAG
△ 5	LYT0784-001A	INST.BOOK(SP),DVL510UM
△ 5	LYT0785-002A	INST.BOOK(SP),DVL817UM
△ 6	LYT0766-001C	INST.BOOK(SOFT.3LANG)
7	LYT0378-003A	SHEET(AGREMENT)
11	LY32210-003B	CD ROM
△ 12	LY20688-011A	AC ADAPTER,AP-V10EN
△ 13	LY31587-001A	BATTERY PACK,BN-V408U
14	QAM0211-001	CABLE ASSY,AUDIO/VIDEO CABLE
15	QQR0918-002	CORE FILTER
16	LY20186-001A	SHOULDER STRAP
17	LY42129-001A	REMOTE CONTROL UNIT,RM-V715U
18	-	BATTERY,AAA(R03),X2
19	LY42182-001A	LENS CAP
20	QPA01703005	POLY BAG
21	QAM0324-001	USB CABLE
22	QQR0918-002	CORE FILTER
23	PEAC0428-150	CABLE ASSY,EDITING CABL,DVL817UM
24	QQR0491-002	CORE FILTER,DVL817UM
25	QQR0490-002	CORE FILTER
26	QAM0004-003	S VIDEO CABLE
27	-	MINI DV TAPE,M-DV30MEBU
△ 28	QMPS150-190-JR	POWER CORD
29	QAM0262-002	MEMORY CARD

• INSTRUCTIONS

SP SPANISH



#	△ REF No.	PART No.	PART NAME, DESCRIPTION

FINAL ASSEMBLY <M2>			
	101	LY20706-011A	LOWER CASE ASSY
	101A	LY32098-001A	WINDOW(IR)
	101B	LY30018-063A	SPECIAL SCREW
	101C	LY32099-001C	COVER(JACK)
	102	LY20697-001C	ARM ASSY
	102A	LY30001-023A	TENSION SPRING
	102B	LY30029-0C7A	SPACER(A)
	102C	LY30029-0E9A	SPACER(A)
	103	LY20693-001A	ZOOM UNIT
	104	LY20704-001B	CASS.COVER ASSY
	104A	LY40592-001A	CAP(GRIP BELT)
	105	LY20575-004B	GRIP BELT
	106	LY42891-001A	HOOK(GRIP)
	107	LY32092-006A	COVER(AJUST),DVL817UM
		LY32092-010A	COVER(AJUST),DVL510UM
	110	LY32093-001B	COVER(ZOOM)ASSY
	111	LY20725-001A	REAR UNIT
	112	LY41691-001A	COVER(JIG)
	115	LY20717-011A	UPPER CASE3/3.5 ASSY,DVL817UM
		LY20707-017A	UPPER CASE(2.5) ASSY,DVL510UM
	115A	LY32101-001A	BRACKET
	115B	LY40664-001A	SPACER,X2
	115C	LY31019-001A	BASE
	115D	LY30018-084A	SPECIAL SCREW,X2
	115E	LY30018-0A8A	SPECIAL SCREW,X4
	115F	LY42866-001A	CAP(DC JACK)
	116	LY32106-001A	COVER(HINGE)
	117	LY30018-084A	SPECIAL SCREW,X2
	118	QAS0048-001	SPEAKER,DVL510UM
		QAS0071-001	SPEAKER,DVL817UM
	119	LY42167-001A	PLATE(SPK)
	120	LY42919-001A	KNOB(SLIDE)
	121	LY42919-002A	KNOB(SLIDE)
	122	QUQ105-5007AA	FFC WIRE,MAIN CN101-MONI CN761
△	130	LY20711-001A	FRONT COVER ASSY
	130A	LY32111-001A	HOOD
	130B	LY32112-001A	RING
	130C	LY32113-001A	HOOD(SCREW)
	130D	LY42953-001A	MARK
	130E	LY30018-052A	SPECIAL SCREW,X3
	132	LY31617-002A	DC LIGHT ASSY
	132A	YQ44266	LAMP
	133	LY32114-001A	MICROPHONE
	134	LY40698-002A	LABEL(HOUSING)
	135	LY40699-002A	LABEL(PUSH)
	136	LY43093-012A	STICKER(TOP)
	137	LY43094-003A	STICKER(SIDE)
	140	LY30018-084A	SPECIAL SCREW,X3
	141	LY30018-096A	SPECIAL SCREW,X2
	142	LY30018-038A	SPECIAL SCREW
	143	LY30018-084A	SPECIAL SCREW
	144	LY30018-0D1A	SPECIAL SCREW
	145	LY30018-084A	SPECIAL SCREW,X4
	146	LY30018-084A	SPECIAL SCREW,X3
	147	LY30018-038A	SPECIAL SCREW,X2
	148	LY30018-038A	SPECIAL SCREW,X5
	149	LY30018-084A	SPECIAL SCREW,X2
	150	LY30018-084A	SPECIAL SCREW,X2
	151	LY30018-023A	SPECIAL SCREW

#	△ REF No.	PART No.	PART NAME, DESCRIPTION
	155	LY30018-084A	SPECIAL SCREW
	156	LY30019-029B	SPECIAL SCREW,X2
	157	LY30018-023A	SPECIAL SCREW
	158	LY30018-0D6	SPECIAL SCREW,X2
	159	LY30018-023A	SPECIAL SCREW,X3
	160	LY30018-047A	SPECIAL SCREW
	162	LY30018-063A	SPECIAL SCREW
	163	LY30018-064A	SPECIAL SCREW
	170	LY30019-026A	SPECIAL SCREW,X2
	171	YQ43893-4	MINI SCREW
	172	YQ43893-4	MINI SCREW
	173	LY30019-033A	SPECIAL SCREW,X2
	174	QYSPSPT1730Z	SCREW,X2
	175	LY30018-066A	SPECIAL SCREW,X4
	176	LY30018-084A	SPECIAL SCREW
	177	LY30018-084A	SPECIAL SCREW,X2
	178	LY30018-084A	SPECIAL SCREW,X3
	179	LY30018-084A	SPECIAL SCREW,X5
	180	LY30018-092A	SPECIAL SCREW
	185	LY30018-065A	SPECIAL SCREW
	186	LY30018-006B	SPECIAL SCREW
	187	LY30018-092A	SPECIAL SCREW
	188	LY30018-065A	SPECIAL SCREW
	189	LY30018-037A	SPECIAL SCREW
	190	LY30018-037A	SPECIAL SCREW
	191	LY30018-084A	SPECIAL SCREW,X2
	195	LY20696-001A	BRACKET(MECHA)
	196	LY42846-001C	BKT(OP) ASSY
	196A	LY42796-001A	BUSH,X2
	198	LY32081-001A	SHIELD PLATE
	199	WJT0044-001A	E-CARD WIRE,MAIN CN113-JUNC CN571

- OPTICAL BLOCK SECTION -

	251	J7A-133A	OPTICAL BLOCK ASSY
	251A	LY30723-001B	ZOOM MOTOR
	251B	LY30724-001B	FOCUS MOTOR
	251C	LY30727-002A	SCREW,X5
	251D	LY30727-001A	SCREW,X2
	251E	LY42936-001A	OPTICAL LPF
	251F	LY31639-001A	SPACER RUBBER
	251G	QYSPSGU1750Z	SCREW,X2
	251H	LY32160-001A	IRIS MOTOR
	251J	YS40168E	CCD BASE ASSY